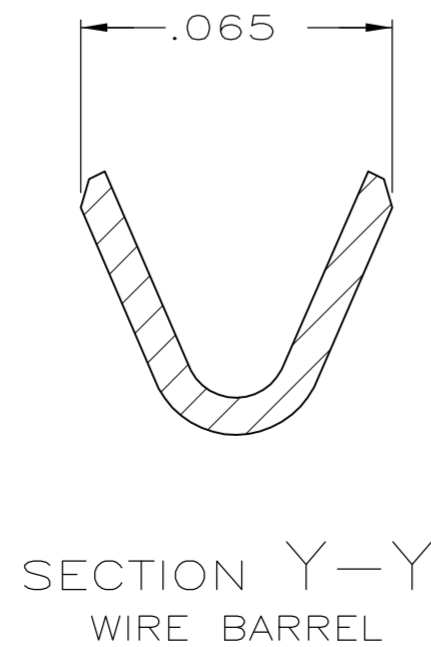
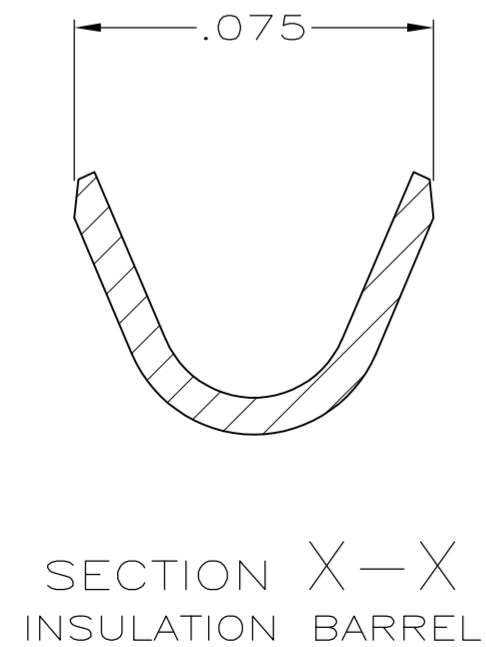
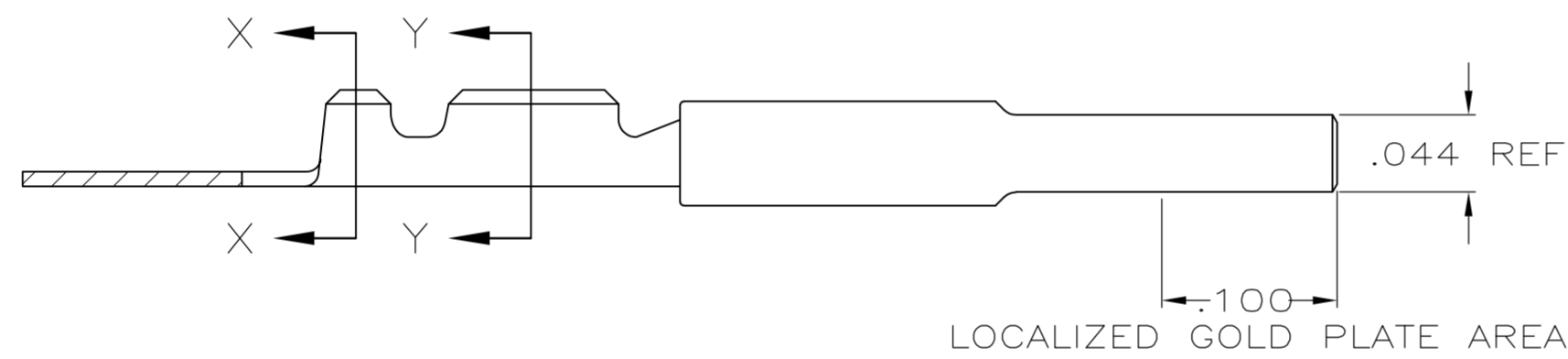
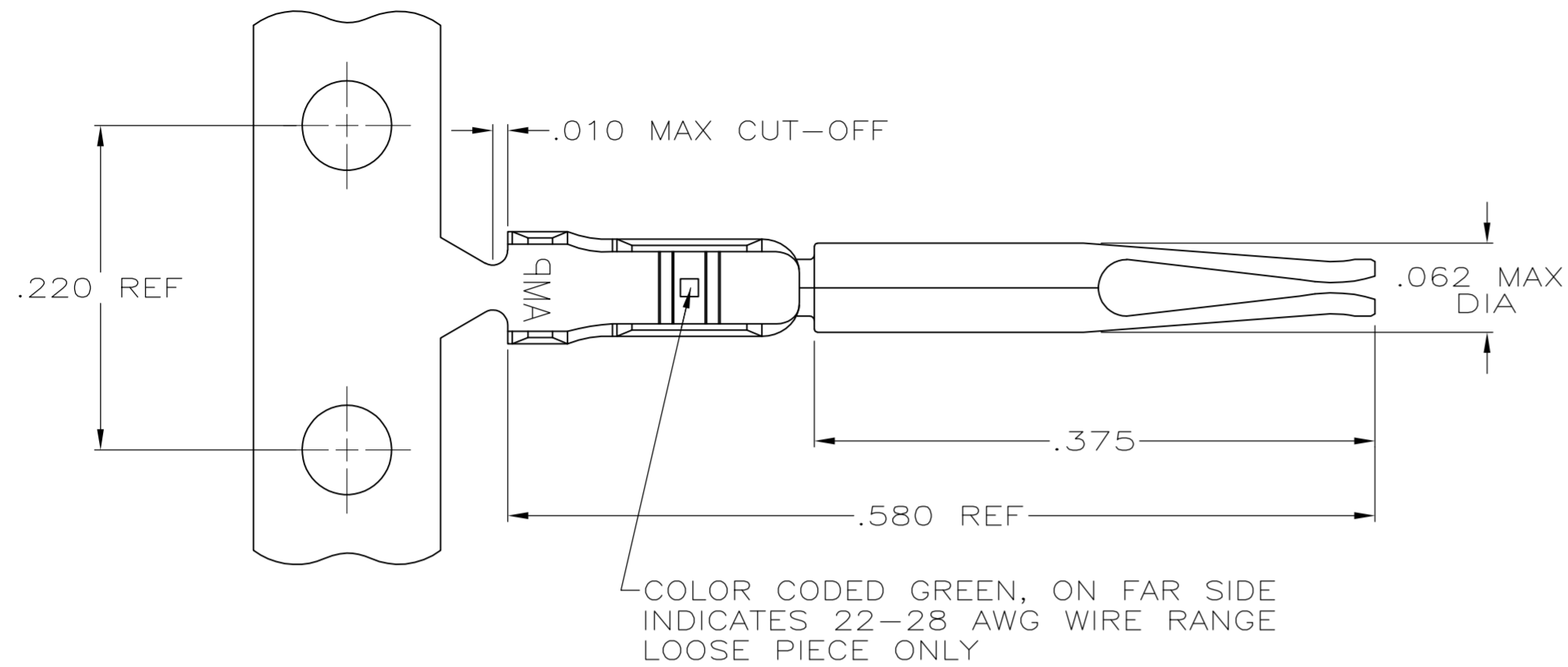


THIS DRAWING IS UNPUBLISHED. RELEASED FOR PUBLICATION  
 © COPYRIGHT BY TYCO ELECTRONICS CORPORATION. ALL RIGHTS RESERVED.

LOC	DIST	REVISIONS			
P	LTR	DESCRIPTION	DATE	DWN	APVD
GP	00	H	REVISED PER ECO-08-019103	19AUG2008	ZMRCWR



- ① FOR MINI APPLICATOR.
- ② FOR HAND TOOL USE ONLY.
- 3. WIRE RANGE OF 22-28, INSULATION RANGE OF .030-.040.
- ④ GOLD PLATING PER MIL-G-45204, NICKEL PLATING PER QQ-N-290, TIN PLATING PER MIL-T-10727.
- ⑤ PLATED WITH .000030 GOLD IN LOCALIZED GOLD PLATE AREA, TIN PLATED WIRE BARRELS, OVER .000050 NICKEL.
- ⑥ PLATED WITH GOLD FLASH IN LOCALIZED GOLD PLATE AREA, TIN PLATED WIRE BARRELS, OVER .000030 NICKEL.
- ⑦ PLATED WITH .000050 GOLD ON INSIDE OF LOCALIZED GOLD PLATE AREA, .000050 GOLD ON REMAINDER, ALL OVER .000050 NICKEL UNDERPLATE.
- ⑧ GOLD PLATING ON THE CARRIER STRIP IS NOT REQUIRED.
- ⑨ OBSOLETE.

SMALL PACK	⑥	⑨	748610-7	⑨1-748610-1
-	⑦	⑧	748610-9	748610-8
STANDARD	⑥	⑨	748610-7	⑨ 748610-5
-	⑤	⑨	748610-4	⑨ 748610-2
PACKAGING	FINISH ④	LOOSE PIECE ②	PART NUMBER ①	

DIMENSIONS: INCHES		TOLERANCES UNLESS OTHERWISE SPECIFIED:		MATERIAL		FINISH	
0 PLC	± -	1 PLC	± -	PHOS BRONZE PER	SEE TABLE	WEIGHT	-
1 PLC	± -	2 PLC	± -	QQ-B-750		CUSTOMER DRAWING	
2 PLC	± -	3 PLC	± .005			SCALE	10:1
3 PLC	± -	4 PLC	± -			SHEET	1 of 1
4 PLC	± -	ANGLES	± 0' 30"			REV	H

THIS DRAWING IS A CONTROLLED DOCUMENT.		DWN		TycO Electronics		Tyco Electronics Corporation	
CHK	W.LENKER	1-14-88		Harrisburg, PA 17105-3608		NAME	
APVD	V.KUMAR	1-19-88		SOCKET CONTACT, SIZE 22 DF,		RESTRICTED TO	
PRODUCT SPEC				22-28 AWG, W/.030-.040			
APPLICATION SPEC				DIA INSULATION SUPPORT			
WEIGHT	-	SIZE	A2	CAGE CODE	00779	DRAWING NO	C=748610